

BOLT™ 12 Charging Station Device Compatibility Guide

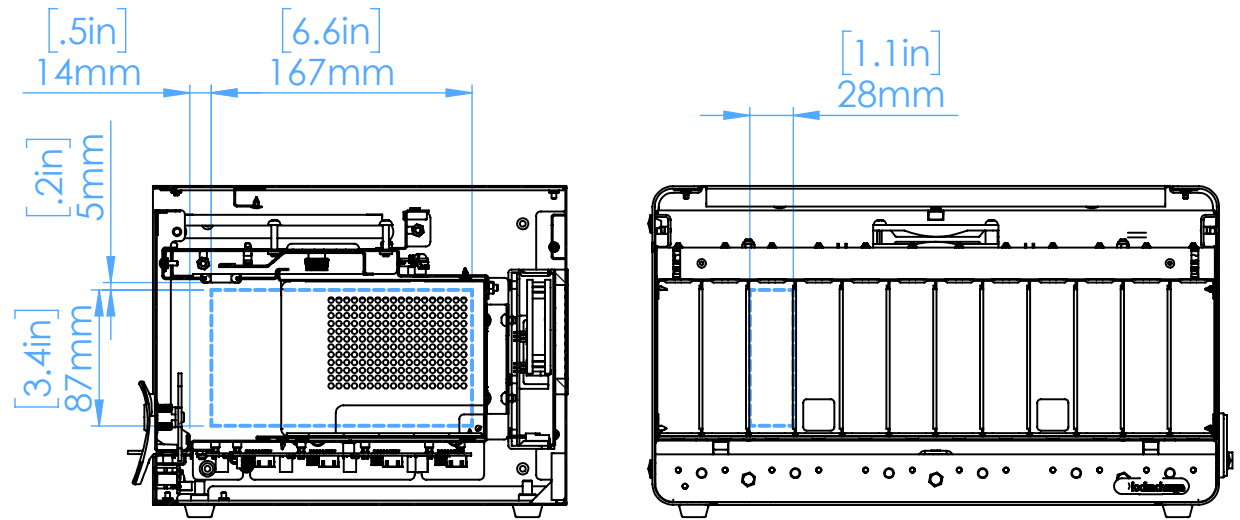
How to Check Your Device's Compatibility:

① The BOLT™ 12 Charging Station comes in two pre-wired options:

The **BOLT™ 12 USB-C PD Charging Station** is designed for PD-compatible smartphone, iPhone®, or mobile battery pack devices with USB-C power connectors.

BOLT™ 12 Lightning PD Charging Station is designed for PD-compatible smartphone, iPhone®, or mobile battery pack devices with Lightning power connectors. Should your devices upgrade from Lightning to USB-C connectors in the future, charging station cables can be easily swapped. (Replacement cables sold separately.)

② Refer to the blue measurements on the drawings to the right. **If your device is smaller than the measurements shown, your device is compatible.**



Product Name	MFG Part #	Description	Total Devices per Station	Max Dimensions (mm):	Max Dimensions (inches):
BOLT™ 12 USB-C PD Charging Station	10449	Pre-wired with USB-C to USB-C Cables	12	86 mm (H) x 167 mm (L) x 27.5 mm (W)	3.39" (H) x 1.08" (L) x 6.57" (W)
BOLT™ 12 Lightning PD Charging Station	10538	Pre-wired with USB-C to Lightning Cables	12	86 mm (H) x 167 mm (L) x 27.5 mm (W)	3.39" (H) x 1.08" (L) x 6.57" (W)

www.lockncharge.com

Phone: (888) 943-6803 | info@lockncharge.com

Specifications and images are for illustration purposes only. Final product may differ. May not fit all devices. Please check the dimensions of the device and the Device Rack. Contact us for more information.

